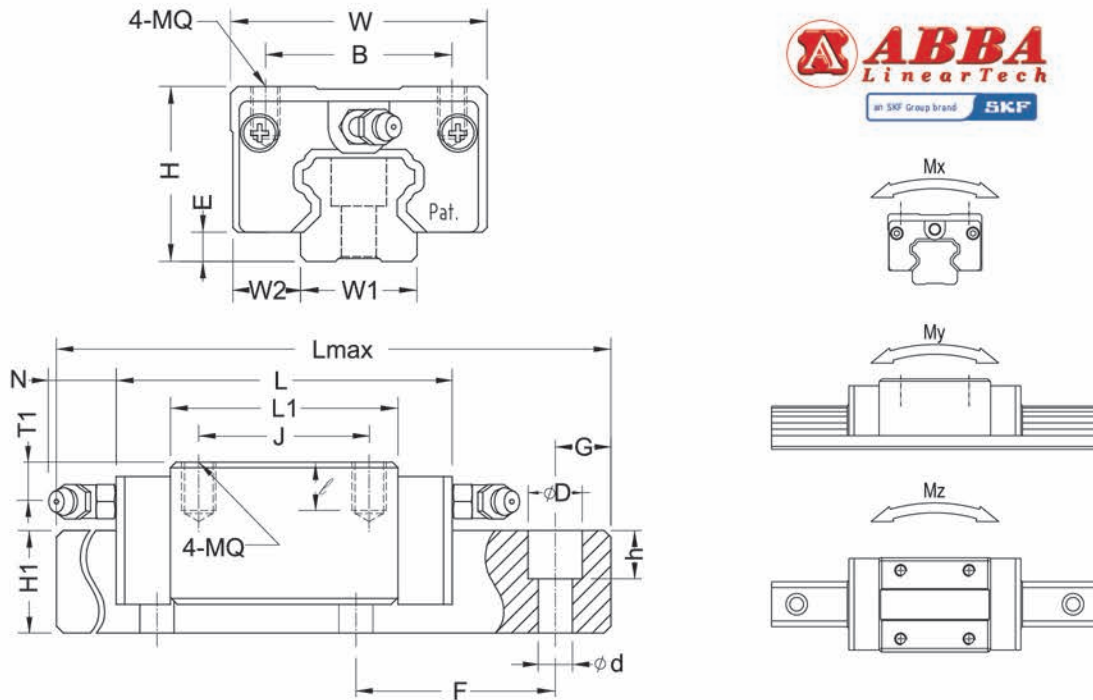


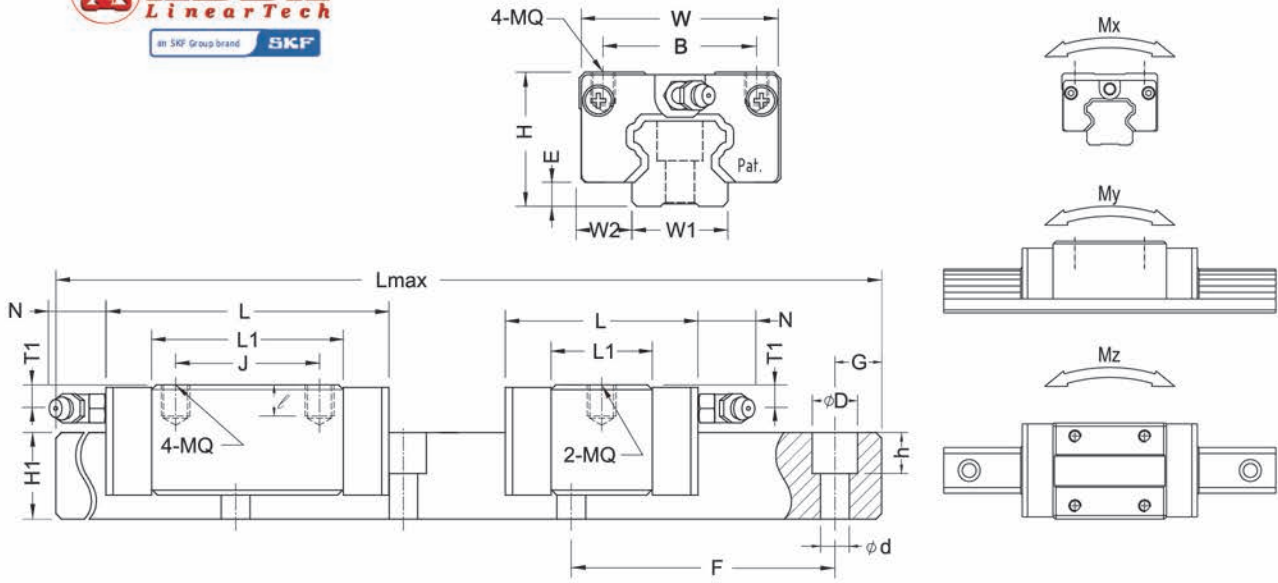
型號	組合尺寸 (mm)				滑座尺寸 (mm)						滑軌尺寸 (mm)				
	H	W	W2	E	L	BxJ	MQx/	L1	油孔	T1	(N)	W1	H1	F	dxDxh
BRC15A0	24	47	16	4.6	66	38x30	M5x8	40	φ 3	4.3	5	15	14	60	4.5x7.5x5.8
BRD15A0					56										
BRC20A0	30	63	21.5	5	77.8	53x40	M6x9	48.8	M6x1	7	15.6	20	18	60	6x9.5x9.0
BRD20A0					67.8			63.4							
BRC20LA					92.4										
BRD20LA					82.4										
BRC25A0	36	70	23.5	7	88	57x45	M8x12	57	M6x1	7.8	15.6	23	22	60	7x11x9.5
BRD25A0					78			79.1							
BRC25LA					110.1										
BRD25LA					100.1										
BRC30A0	42	90	31	9	109	72x52	M10x12	72	M6x1	7	15.6	28	26	80	9x14x12.5
BRD30A0					99			94.3							
BRC30LA					131.3										
BRD30LA					121.3										
BRD35A0	48	100	33	9.5	109	82x62	M10x13	80	M6x1	8	15.6	34	29	80	9x14x12.5
BRD35LA					134.8			105.8							
BRD45A0	60	120	37.5	14	138.2	100x80	M12x15	105	M8x1	8.5	16	45	38	105	14x20x17.5
BRD45LA					163			129.8							

型號	參考資料 (mm)		基本荷重 (Kgf)		容許靜力矩 (Kgf*m)			重量	
	Lmax	G	動額定負荷(C)	靜額定負荷(C0)	Mx	My	Mz	滑塊 (Kg)	滑軌 (Kg/m)
BRC15A0	4000	20	850	1350	10.1	6.8	6.8	0.21	1.4
BRD15A0									
BRC20A0	4000	20	1400	2400	24	14.6	14.6	0.4	2.6
BRD20A0									
BRC20LA									
BRD20LA									
BRC25A0	4000	20	1950	3200	36.8	22.8	22.8	0.57	3.6
BRD25A0									
BRC25LA									
BRD25LA									
BRC30A0	4000	20	2850	4800	67.2	43.2	43.2	1.1	5.2
BRD30A0									
BRC30LA									
BRD30LA									
BRD35A0	4000	20	3850	6200	105.4	62	62	1.6	7.2
BRD35LA			4800	8300	141.1	109.8	109.8	2	
BRD45A0	4000	22.5	6500	10500	236.3	137.8	137.8	2.7	12.3
BRD45LA			7700	13000	292.5	210.9	210.9	3.6	



型號	組合尺寸 (mm)				滑座尺寸 (mm)							滑軌尺寸 (mm)			
	H	W	W2	E	L	BxJ	MQx/	L1	油孔	T1	(N)	W1	H1	F	dx Dx h
BRC15R0	28	34	9.5	4.6	66	26x26	M4x6	40	φ 3	8.3	5	15	14	60	4.5x7.5x5.8
BRD15R0					56										
BRC20R0	30	44	12	5	77.8	32x36	M5x8	48.8	M6x1	7	15.6	20	18	60	6x9.5x9.0
BRD20R0					67.8										
BRC20LR					92.4	32x50	63.4								
BRD20LR					82.4										
BRC25R0	40	48	12.5	7	88	35x35	M6x10	57	M6x1	11.8	15.6	23	22	60	7x11x9.5
BRD25R0					78										
BRC25LR					110.1	35x50	79.1								
BRD25LR					100.1										
BRC30R0	45	60	16	9	109	40x40	M8x13	72	M6x1	10	15.6	28	26	80	9x14x12.5
BRD30R0					99										
BRC30LR					131.3	40x60	94.3								
BRD30LR					121.3										
BRD35R0	55	70	18	9.5	109	50x50	M8x13	80	M6x1	15	15.6	34	29	80	9x14x12.5
BRD35LR					134.8	50x72		105.8							
BRD45R0	70	86	20.5	14	138.2	60x60	M10x16.5	105	M8x1	18.5	16	45	38	105	14x20x17.5
BRD45LR					163	60x80		129.8							

型號	參考資料 (mm)		基本荷重 (Kgf)		容許靜力矩 (Kgf*m)			重量	
	Lmax	G	動額定負荷(C)	靜額定負荷(C0)	Mx	My	Mz	滑塊 (Kg)	滑軌 (Kg/m)
BRC15R0	4000	20	850	1350	10.1	6.8	6.8	0.19	1.4
BRD15R0									
BRC20R0	4000	20	1400	2400	24	14.6	14.6	0.31	2.6
BRD20R0									
BRC20LR									
BRD20LR									
BRC25R0	4000	20	1950	3200	36.8	22.8	22.8	0.45	3.6
BRD25R0									
BRC25LR									
BRD25LR									
BRC30R0	4000	20	2850	4800	67.2	43.2	43.2	0.91	5.2
BRD30R0									
BRC30LR									
BRD30LR									
BRD35R0	4000	20	3850	6200	105.4	62	62	1.5	7.2
BRD35LR			4800	8300	141.1	109.8	109.8	1.9	
BRD45R0	4000	22.5	6500	10500	236.3	137.8	137.8	2.3	12.3
BRD45LR			7700	13000	292.5	210.9	210.9	2.8	



型號	組合尺寸 (mm)				滑座尺寸 (mm)							滑軌尺寸 (mm)			
	H	W	W2	E	L	BxJ	MQx	L1	油孔	T1	(N)	W1	H1	F	dxDxh
BRC15U0	24	34	9.5	4.6	66	26x26	M4x5.6	40	φ 3	4.3	5	15	14	60	4.5x7.5x5.8
BRD15U0					56			21.6							
BRC15SU					47.6	26x -									
BRD15SU					37.6										
BRC20U0	28	42	11	5	77.8	32x32	M5x6.4	48.8	M6x1	5	15.6	20	18	60	6x9.5x9
BRD20U0					67.8			28							
BRC20SU					57	32x -									
BRD20SU					47										
BRC25U0	33	48	12.5	7	88	35x35	M6x8	57	M6x1	4.8	15.6	23	22	60	7x11x9.5
BRD25U0					78			31.5							
BRC25SU					62.5	35x -									
BRD25SU					52.5										
BRC30U0	42	60	16	9	109	40x40	M8x11.5	72	M6x1	7	15.6	28	26	80	9x14x12.5
BRD30U0					99			38.6							
BRC30SU					75.6	40x -									
BRD30SU					65.6										
BRD35U0	48	70	18	9.5	109	50x50	M8x11.2	80	M6x1	8	15.6	34	29	80	9x14x12.5
BRD35SU					74.7	50x -		45.7							
BRD45U0	60	86	20.5	14	138.2	60x60	M10x13	105	M8x1	8.5	16	45	38	105	14x20x17.5

型號	參考資料 (mm)		基本荷重 (Kgf)		容許靜力矩 (Kgf*m)			重量	
	Lmax	G	動額定負荷(C)	靜額定負荷(C0)	Mx	My	Mz	滑塊 (Kg)	滑軌 (Kg/m)
BRC15U0	4000	20	850	1350	10.1	6.8	6.8	0.17	1.4
BRD15U0			520	680	5.1	1.8	1.8	0.1	
BRC15SU									
BRD15SU									
BRC20U0	4000	20	1400	2400	24	14.6	14.6	0.26	2.6
BRD20U0			950	1400	7	4.9	4.9	0.17	
BRC20SU									
BRD20SU									
BRC25U0	4000	20	1950	3200	36.8	22.8	22.8	0.38	3.6
BRD25U0			1250	1750	17.5	6.9	6.9	0.21	
BRC25SU									
BRD25SU									
BRC30U0	4000	20	2850	4800	67.2	43.2	43.2	0.81	5.2
BRD30U0			1750	2400	33.6	11.6	11.6	0.48	
BRC30SU									
BRD30SU									
BRD35U0	4000	20	3850	6200	105.4	62	62	1.2	7.2
BRD35SU			2500	3650	62.1	20.9	20.9	0.8	
BRD45U0	4000	22.5	6500	10500	236.3	137.8	137.8	2.1	12.3