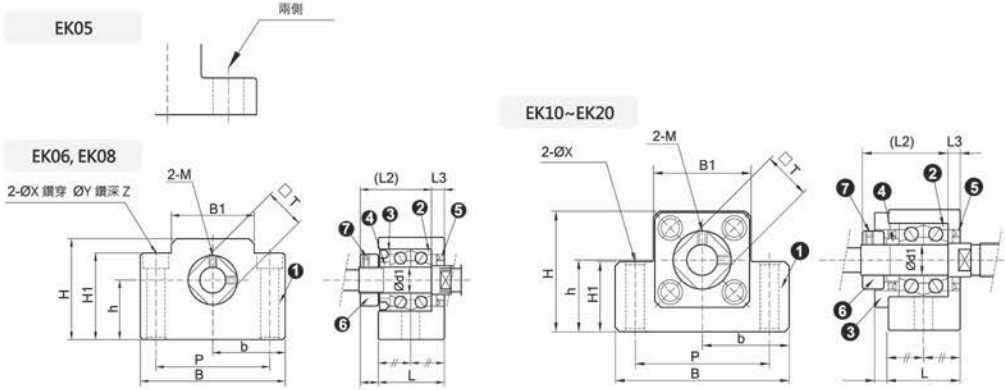


■ EK 系列 / 凸形固定側



| 編號 Part No. | 部品名稱 Part name | 數量 Qty |
|----------------|-------------------|-----------|
| 1 | 軸承座主體 | 1 |
| 2 | 軸承 | 1組 |
| 3 | 壓板 | 1 |
| 4 | 間隔圈 | 2 |
| 5 | 軸封 | 1(2) |
| 6 | 鎖固螺帽 | 1 |
| 7 | 內六角止付螺絲附銅片 | 2 |

單位/Unit : mm

| 型號 | d1 | L | L1 | L2 | L3 | B | H | b | | h | B1 | H1 | P | X | Y | Z | M | T |
|------|----|------|-----|------|-----|----|----|-------|-------|----|----|----|-----|-----|----|---|----|----|
| | | | | | | | | +0.02 | +0.02 | | | | | | | | | |
| EK05 | 5 | 16.5 | 5.5 | 18.5 | 3.5 | 26 | 21 | 18 | 11 | 20 | 8 | 28 | 4.5 | - | - | - | M3 | 11 |
| EK06 | 6 | 20 | 5.5 | 22 | 3.5 | 42 | 25 | 21 | 13 | 18 | 20 | 30 | 5.5 | 9.5 | 11 | - | M3 | 12 |
| EK08 | 8 | 23 | 7 | 26 | 4 | 52 | 32 | 36 | 17 | 25 | 26 | 38 | 6.6 | 11 | 12 | - | M3 | 14 |
| EK10 | 10 | 24 | 6 | 29.5 | 6 | 70 | 43 | 35 | 25 | 36 | 24 | 52 | 9 | - | - | - | M3 | 16 |
| EK12 | 12 | 24 | 6 | 29.5 | 6 | 70 | 43 | 35 | 25 | 36 | 24 | 52 | 9 | - | - | - | M4 | 19 |
| EK15 | 15 | 25 | 6 | 36 | 5 | 80 | 49 | 40 | 30 | 41 | 25 | 60 | 11 | - | - | - | M4 | 22 |
| EK20 | 20 | 42 | 10 | 50 | 10 | 95 | 58 | 47.5 | 30 | 56 | 25 | 75 | 11 | - | - | - | M4 | 30 |

■ EF 系列 / 凸形支撐側

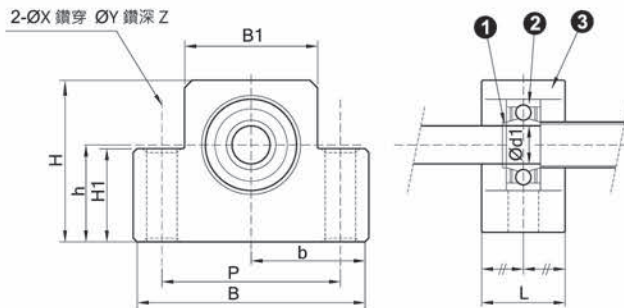
| 訂購編號 Order Coding | 型號 Model No. | 表面處理 Surface treatment | 適用螺桿 Applicable ballscrew accuracy grade | 使用軸承 Bearing |
|----------------------|-----------------|-----------------------------------|---|-----------------|
| EF06_C7 | EF06 | 染黑 Black Oxide | C7 | 606ZZ |
| EF06_C3 | | | C3 | 606ZZ |
| EF06_C7N | | 化學鍍 Electroless Nickel Plating | C7 | 606VV |
| EF06_C3N | C3 | | 606VV | |
| EF08_C7 | EF08 | 染黑 Black Oxide | C7 | 606ZZ |
| EF08_C3 | | | C3 | 606ZZ |
| EF08_C7N | | 化學鍍 Electroless Nickel Plating | C7 | 606VV |
| EF08_C3N | C3 | | 606VV | |
| EF10_C7 | EF10 | 染黑 Black Oxide | C7 | 608ZZ |
| EF10_C3 | | | C3 | 608ZZ |
| EF10_C7N | | 化學鍍 Electroless Nickel Plating | C7 | 608DD |
| EF10_C3N | C3 | | 608DD | |
| EF12_C7 | EF12 | 染黑 Black Oxide | C7 | 6000ZZ |
| EF12_C3 | | | C3 | 6000ZZ |
| EF12_C7N | | 化學鍍 Electroless Nickel Plating | C7 | 6000DDU |
| EF12_C3N | C3 | | 6000DDU | |
| EF15_C7 | EF15 | 染黑 Black Oxide | C7 | 6002ZZ |
| EF15_C3 | | | C3 | 6002ZZ |
| EF15_C7N | | 化學鍍 Electroless Nickel Plating | C7 | 6002DDU |
| EF15_C3N | C3 | | 6002DDU | |
| EF20_C7 | EF20 | 染黑 Black Oxide | C7 | 6204ZZ |
| EF20_C3 | | | C3 | 6204ZZ |
| EF20_C7N | | 化學鍍 Electroless Nickel Plating | C7 | 6204DDU |
| EF20_C3N | C3 | | 6204DDU | |

1. 染黑使用之軸承採用雙鐵蓋。
It is used double pressed steel cages for Black Oxide type support units.
2. 化學鍍使用之軸承採用雙塑膠蓋。
It is used double plastic cages for Electroless Nickel Plating type support units.
3. 軸承皆採用 日系品牌大廠。
All of bearings Use Japan' s brand bearings.

| 編號 Part No. | 部品名稱 Part name | 數量 Qty |
|----------------|-------------------|-----------|
| 1 | 軸承座主體 | 1 |
| 2 | 軸承 | 1 組 |
| 3 | C型扣環 | 1 |



化學鍍 (適用無塵室環境)
染黑 (適用環境一般)



單位/Unit : mm

| 型號 | d1 | L | B | H | b | | h | B1 | H1 | P | X | Y | Z | 使用軸承 | 使用 C型扣環 |
|------|----|----|----|----|-------|-------|----|----|----|-----|-----|----|--------|------|---------|
| | | | | | +0.02 | +0.02 | | | | | | | | | |
| EF06 | 6 | 12 | 42 | 25 | 21 | 13 | 18 | 20 | 30 | 5.5 | 9.5 | 11 | 606ZZ | S 06 | |
| EF08 | 8 | 14 | 52 | 32 | 36 | 17 | 25 | 26 | 38 | 6.6 | 11 | 12 | 606ZZ | S 06 | |
| EF10 | 10 | 20 | 70 | 43 | 35 | 25 | 36 | 24 | 52 | 9 | - | - | 608ZZ | S 08 | |
| EF12 | 12 | 20 | 70 | 43 | 35 | 25 | 36 | 24 | 52 | 9 | - | - | 6000ZZ | S 10 | |
| EF15 | 15 | 20 | 80 | 49 | 40 | 30 | 41 | 25 | 60 | 11 | - | - | 6002ZZ | S 15 | |
| EF20 | 20 | 26 | 95 | 58 | 47.5 | 30 | 56 | 25 | 75 | 11 | - | - | 6204ZZ | S 20 | |