

**WJB** SCJ...UU  
SC...LUU 尼龍保持架  
SC...SUU



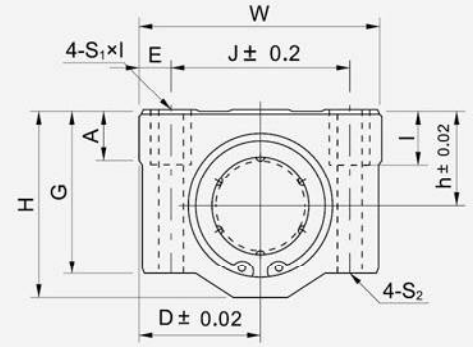
SC...UU



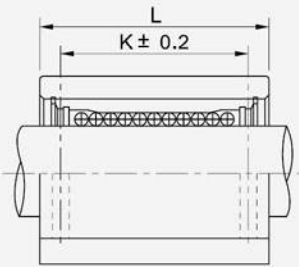
SC...LUU



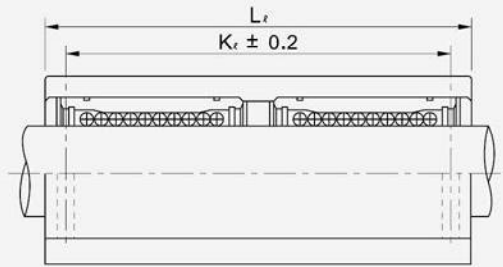
SC...SUU



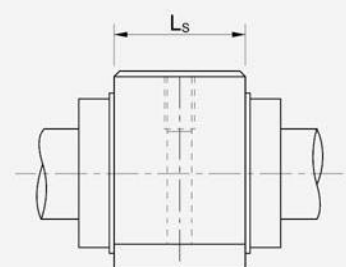
| 標準型<br>Standard |                          | 額定負荷<br>Basic load rating |                       | 重量<br>Weight<br>(g) | 加長型<br>Length type |                          | 額定負荷<br>Basic load rating |                       | 重量<br>Weight<br>(g) | 短型<br>Shorten type |                          |
|-----------------|--------------------------|---------------------------|-----------------------|---------------------|--------------------|--------------------------|---------------------------|-----------------------|---------------------|--------------------|--------------------------|
| 型號<br>Model     | 內裝軸承<br>Liner<br>bearing | 動負荷<br>Dynamic<br>C N     | 靜負荷<br>Static<br>Co N |                     | 型號<br>Model        | 內裝軸承<br>Liner<br>bearing | 動負荷<br>Dynamic<br>C N     | 靜負荷<br>Static<br>Co N |                     | 型號<br>Model        | 內裝軸承<br>Liner<br>bearing |
| SC8UU           | LM8UU                    | 274                       | 392                   | 56                  | SC8LUU             | 2xLM8UU                  | 431                       | 784                   | 94                  | SC8SUU             | LM8UU                    |
| SC10UU          | LM10UU                   | 372                       | 549                   | 90                  | SC10LUU            | 2xLM10UU                 | 588                       | 1,100                 | 147                 | SC10SUU            | LM10UU                   |
| SC12UU          | LM12UU                   | 510                       | 784                   | 112                 | SC12LUU            | 2xLM12UU                 | 813                       | 1,570                 | 220                 | SC12SUU            | LM12UU                   |
| SC13UU          | LM13UU                   | 510                       | 784                   | 123                 | SC13LUU            | 2xLM13UU                 | 813                       | 1,570                 | 245                 | SC13SUU            | LM13UU                   |
| SC16UU          | LM16UU                   | 774                       | 1,180                 | 189                 | SC16LUU            | 2xLM16UU                 | 1,230                     | 2,350                 | 376                 | SC16SUU            | LM16UU                   |
| SC20UU          | LM20UU                   | 882                       | 1,370                 | 237                 | SC20LUU            | 2xLM20UU                 | 1,410                     | 2,740                 | 476                 | SC20SUU            | LM20UU                   |
| SC25UU          | LM25UU                   | 980                       | 1,570                 | 555                 | SC25LUU            | 2xLM25UU                 | 1,610                     | 3,140                 | 1,115               | SC25SUU            | LM25UU                   |
| SC30UU          | LM30UU                   | 1,570                     | 2,740                 | 685                 | SC30LUU            | 2xLM30UU                 | 2,450                     | 5,490                 | 1,375               | SC30SUU            | LM30UU                   |
| SC35UU          | LM35UU                   | 1,670                     | 3,140                 | 1,100               | SC35LUU            | 2xLM35UU                 | 2,650                     | 6,270                 | 2,200               | SC35SUU            | LM35UU                   |
| SC40UU          | LM40UU                   | 2,160                     | 4,020                 | 1,600               | SC40LUU            | 2xLM40UU                 | 3,430                     | 8,040                 | 3,200               | SC40SUU            | LM40UU                   |
| SC50UU          | LM50UU                   | 3,820                     | 7,940                 | 3,350               | SC50LUU            | 2xLM50UU                 | 6,080                     | 15,900                | 6,720               | SC50SUU            | LM50UU                   |
| SC60UU          | LM60UU                   | 4,700                     | 10,000                | 4,720               | SC60LUU            | 2xLM60UU                 | 7,550                     | 20,000                | 8,480               | SC60SUU            | LM60UU                   |
| SC80UU          | LM80UU                   | 7,350                     | 16,000                | 8,100               | SC80LUU            | 2xLM80UU                 | 11,500                    | 32,000                | 15,100              | SC80SUU            | LM80UU                   |



SC...UU



SC...LUU



SC...SUU

| 額定負荷<br>Basic load rating |                       | 重量<br>Weight<br>(g) | 尺寸 Dimensions (mm)            |                              |    |     |      |      |    |      |      |                   |                |         |     |                |                |                |
|---------------------------|-----------------------|---------------------|-------------------------------|------------------------------|----|-----|------|------|----|------|------|-------------------|----------------|---------|-----|----------------|----------------|----------------|
| 動負荷<br>Dynamic<br>C N     | 靜負荷<br>Static<br>Co N |                     | 軸徑<br>Shaft<br>diameter<br>mm | 通用尺寸 Nominal dimensions (mm) |    |     |      |      |    |      |      |                   |                | SC...UU |     | SC...LUU       |                | SC...SUU       |
|                           |                       |                     |                               | h                            | D  | W   | H    | G    | A  | J    | E    | S <sub>1</sub> ×I | S <sub>2</sub> | K       | L   | K <sub>r</sub> | L <sub>r</sub> | L <sub>s</sub> |
| 260                       | 400                   | 36                  | φ8                            | 11                           | 17 | 34  | 22   | 18   | 6  | 24   | 5    | M4x8              | φ3.4           | 18      | 30  | 42             | 58             | 15.4           |
| 370                       | 540                   | 63                  | φ10                           | 13                           | 20 | 40  | 26   | 21   | 8  | 28   | 6    | M5x12             | φ4.3           | 21      | 35  | 46             | 68             | 19.5           |
| 410                       | 590                   | 74                  | φ12                           | 15                           | 21 | 42  | 28   | 24   | 8  | 30.5 | 5.75 | M5x12             | φ4.3           | 26      | 36  | 50             | 70             | 20.5           |
| 500                       | 770                   | 85                  | φ13                           | 15                           | 22 | 44  | 30   | 24.5 | 8  | 33   | 5.5  | M5x12             | φ4.3           | 26      | 39  | 50             | 75             | 20.5           |
| 770                       | 1,170                 | 132                 | φ16                           | 19                           | 25 | 50  | 38.5 | 32.5 | 9  | 36   | 7    | M5x12             | φ4.3           | 34      | 44  | 60             | 85             | 23.5           |
| 860                       | 1,370                 | 170                 | φ20                           | 21                           | 27 | 54  | 41   | 35   | 11 | 40   | 7    | M6x12             | φ5.2           | 40      | 50  | 70             | 96             | 27.4           |
| 980                       | 1,560                 | 405                 | φ25                           | 26                           | 38 | 76  | 51.5 | 42   | 12 | 54   | 11   | M8x18             | φ7.0           | 50      | 67  | 100            | 130            | 37.4           |
| 1,560                     | 2,740                 | 495                 | φ30                           | 30                           | 39 | 78  | 59.5 | 49   | 15 | 58   | 10   | M8x18             | φ7.0           | 58      | 72  | 110            | 140            | 40.9           |
| 1,660                     | 3,130                 | 790                 | φ35                           | 34                           | 45 | 90  | 68   | 54   | 18 | 70   | 10   | M8x18             | φ7.0           | 60      | 80  | 120            | 155            | 45.4           |
| 2,150                     | 4,010                 | 1,220               | φ40                           | 40                           | 51 | 102 | 78   | 62   | 20 | 80   | 11   | M10x25            | φ8.7           | 60      | 90  | 140            | 175            | 56.4           |
| 3,820                     | 7,930                 | 2,300               | φ50                           | 52                           | 61 | 122 | 102  | 80   | 25 | 100  | 11   | M10x25            | φ8.7           | 80      | 110 | 160            | 215            | 68.9           |
| 4,700                     | 10,000                | 3,530               | φ60                           | 58                           | 66 | 132 | 114  | 94   | 30 | 108  | 12   | M12x25            | φ10.7          | 90      | 122 | 180            | 240            | 78.8           |
| 7,350                     | 16,000                | 7,020               | φ80                           | 75                           | 81 | 162 | 148  | 125  | 35 | 138  | 12   | M12x30            | φ10.7          | 120     | 155 | 230            | 303            | 97.3           |