

# WJB SHF軸心支撐座 Shaft Support

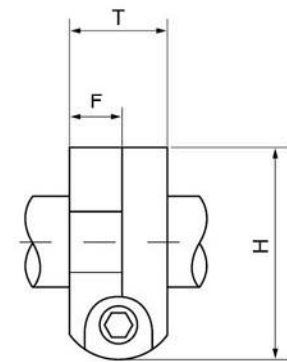
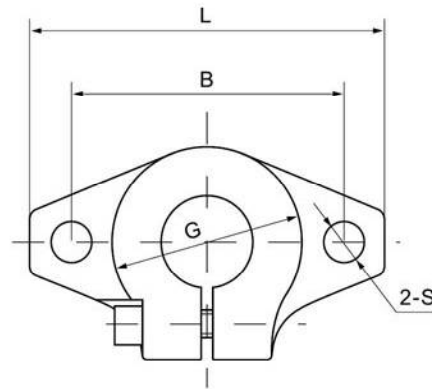
SHF ...

WJB軸支座 Shaft Support

軸徑 Shaft Diameter



SHF



WJB 軸心支撐座

型號 Model	軸徑 Shaft diameter	尺寸 Dimensions (mm)							安裝螺栓型號 Mounting bolt designation	夾緊螺栓型號 Clamping bolt designation	重量 Weight (g)
		L	T	F	B	G	H	S			
SHF3	φ3	43	10	5	32	20	24	5.5	M5	M4	13
SHF4	φ4	43	10	5	32	20	24	5.5	M5	M4	13
SHF5	φ5	43	10	5	32	20	24	5.5	M5	M4	13
SHF6	φ6	43	10	5	32	20	24	5.5	M5	M4	13
SHF8	φ8	43	10	5	32	20	24	5.5	M5	M4	13
SHF10	φ10	43	10	5	32	20	24	5.5	M5	M4	13
SHF12	φ12	47	13	7	36	25	28	5.5	M5	M4	20
SHF13	φ13	47	13	7	36	25	28	5.5	M5	M4	20
SHF16	φ16	50	16	8	40	28	31	5.5	M5	M4	27
SHF20	φ20	60	20	8	48	34	37	7	M6	M5	40
SHF25	φ25	70	25	10	56	40	42	7	M6	M5	60
SHF30	φ30	80	30	12	64	46	50	9	M8	M6	110
SHF35	φ35	92	35	14	72	50	58	12	M10	M8	380
SHF40	φ40	102	40	16	80	56	67	12	M10	M10	510
SHF50	φ50	122	50	19	96	70	83	14	M12	M12	890
SHF60	φ60	140	60	23	112	82	95	14	M12	M12	1,500