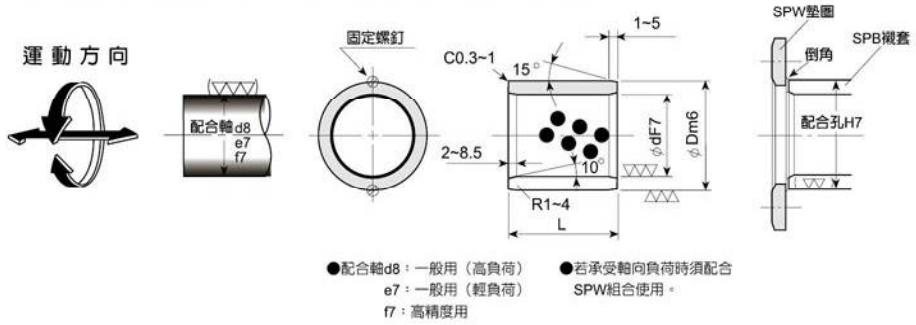


WJB 銅自潤軸承 (特殊規格尺寸可依圖訂製)

特殊銅合金系



自潤#500SP
襯套(SPB)
迴轉(搖擺) · 往復運動用



軸徑 區分	寸 法 (mm)		長 度 L								公差 _{0.3}		
	內徑		外徑		8	10	12	15	16	20	25	30	35
	∅d	公差	∅D	公差	SPB	SPB	SPB	SPB	SPB	SPB	SPB	SPB	SPB
8	8	+0.028 +0.013	12	+0.018 +0.007	-081208	-081210	-081212	-081215					
10	10	"	14	"	-101408	-101410	-101412	-101415		-101420			
12	12	+0.034 +0.016	18	"	-121808	-121810	-121812	-121815	-121816	-121820	-121825	-121830	
13	13	"	19	+0.021 +0.008		-131910	-131912	-131915		-131920			
14	14	"	20	"		-142010	-142012	-142015		-142020	-142025	-142030	
15	15	"	21	"		-152110	-152112	-152115	-152116	-152120	-152125	-152130	
16	16	"	22	"		-162210	-162212	-162215	-162216	-162220	-162225	-162230	-162235
18	18	"	24	"			-182412	-182415	-182416	-182420	-182425	-182430	
20	20	+0.041 +0.020	28	"		-202810	-202812	-202815	-202816	-202820	-202825	-202830	-202835
	20	"	30	"					-203016	-203020	-203025	-203030	-203035
25	25	"	33	+0.025 +0.009			-253312	-253315	-253316	-253320	-253325	-253330	-253335
	25	"	35	"			-253512	-253515	-253516	-253520	-253525	-253530	-253535
30	30	"	38	"			-303812	-303815		-303820	-303825	-303830	-303835
	30	"	40	"			-304012	-304015		-304020	-304025	-304030	-304035
31.5	31.5	+0.050 +0.025	40	"								-314030	
35	35	"	44	"							-354425	-354430	-354435
	35	"	45	"						-354520	-354525	-354530	-354535
40	40	"	50	"				-405015		-405020	-405025	-405030	-405035
	40	"	55	+0.030 +0.011								-405530	-405535
	45	"	55	"								-455530	-455535
45	45	"	56	"								-455630	-455635
	45	"	60	"								-456030	-456035
	50	"	60	"						-506020		-506030	-506035
50	50	"	62	"								-506230	-506235
	50	"	65	"								-506530	
55	55	+0.060 +0.030	70	"								-557030	-557035
	60	"	74	"								-607430	-607435
	60	"	75	"								-607530	-607535
63	63	"	75	"									
65	65	"	80	"									
70	70	"	85	+0.035 +0.013								-708530	-708535
	70	"	90	"									
75	75	"	90	"									
	75	"	95	"									
80	80	"	96	"									
	80	"	100	"									
90	90	+0.071 +0.036	110	"									
100	100	"	120	"									
110	110	"	130	+0.040 +0.015									
120	120	"	140	"									
125	125	+0.083 +0.043	145	"									
130	130	"	150	"									
140	140	"	160	"									
150	150	"	170	"									
160	160	"	180	"									

使用注意事項

- 自潤#500SP襯套(SPB)在迴轉，搖擺及往復運動均可使用。
- 若承受軸向荷重時，請配合自潤#500SP墊圈(SPW)組合使用。
- 請避免在水中使用。
- 內徑31.5mm在油壓缸中間耳軸(trunnion)襯套。

訂購型號

SPB - $\bigcirc\bigcirc$ $\bigcirc\bigcirc$ $\bigcirc\bigcirc$
 內徑 外徑 長度

長 度 L 公差 $\begin{smallmatrix} 0.1 \\ 0.3 \end{smallmatrix}$										內 徑	外 徑	適用 墊圈	
40	50	60	70	80	100	120	130	140	150				SPB
											8	12	—
											10	14	-1003
											12	18	-1203
											13	19	-1303
											14	20	-1403
											15	21	-1503
-162240											16	22	-1603
											18	24	-1803
-202840	-202850										20	28	-2005
-203040											20	30	//
-253340	-253350	-253360									25	33	-2505
-253540	-253550										25	35	//
-303840	-303850	-303860									30	38	-3005
-304040	-304050	-304060									30	40	//
-314040											31.5	40	—
-354440	-354450	-354460									35	44	-3505
-354540	-354550	-354560									35	45	//
-405040	-405050	-405060	-405070	-405080							40	50	-4007
-405540	-405550	-405560									40	55	//
-455540	-455550	-455560									45	55	-4507
-455640	-455650	-455660									45	56	//
-456040	-456050	-456060	-456070	-456080							45	60	//
-506040	-506050	-506060	-506070	-506080							50	60	-5008
-506240	-506250	-506260	-506270								50	62	//
-506540	-506550	-506560	-506570	-506580	-5065100						50	65	//
-557040	-557050	-557060	-557070								55	70	-5508
-607440	-607450	-607460	-607470	-607480							60	74	-6008
-607540	-607550	-607560	-607570	-607580	-6075100						60	75	//
		-637560	-637570	-637580							63	75	—
-658040	-658050	-658060	-658070	-658080							65	80	-6508
-708540	-708550	-708560	-708570	-708580	-7085100						70	85	-7010
	-709050	-709060	-709070	-709080							70	90	//
	-759050	-759060	-759070	-759080	-7590100						75	90	-7510
		-759560	-759570	-759580	-7595100						75	95	//
-809640	-809650	-809660	-809670	-809680	-8096100	-8096120					80	96	-8010
-8010040	-8010050	-8010060	-8010070	-8010080	-80100100	-80100120		-80100140			80	100	//
	-9011050	-9011060		-9011080	-90110100	-90110120					90	110	-9010
	-10012050	-10012060	-10012070	-10012080	-100120100	-100120120		-100120140			100	120	-10010
	-11013050		-11013070	-11013080	-110130100	-110130120					110	130	—
			-12014070	-12014080	-120140100	-120140120		-120140140			120	140	-12010
					-125145100	-125145120					125	145	—
				-13015080	-130150100		-130150130				130	150	—
					-140160100			-140160140			140	160	—
				-15017080	-150170100				-150170150		150	170	—
				-16018080	-160180100					-160180150	160	180	—