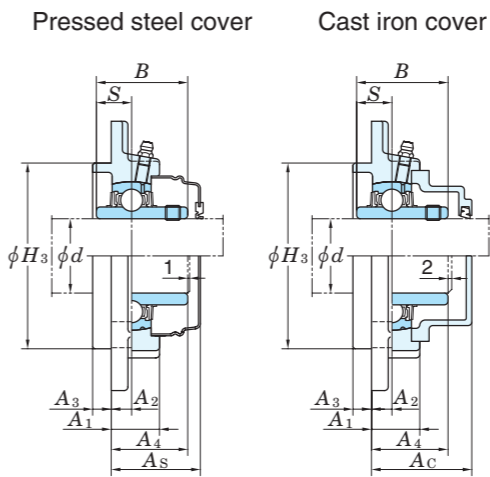
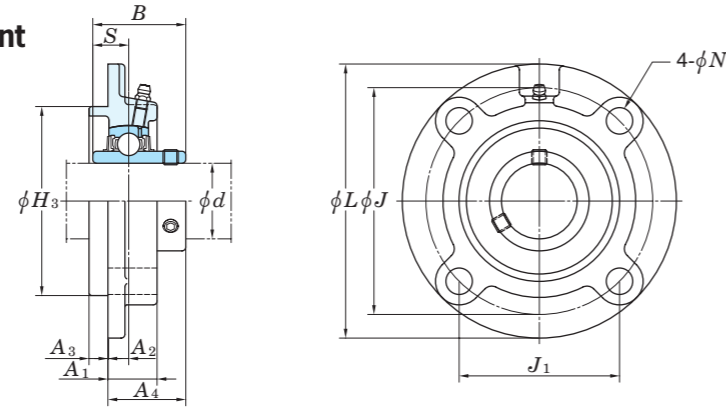


**Ball bearing units  
round-flanged type with spigot joint  
UCFC (with set screws)**  
*d* 12 ~ 65 mm



Tolerances for housing

unit : mm

housing No.	$\Delta H_{3s}$	$\Delta A_{2s}$	X	Y
FC204~FC206	0 -0.046	±0.5	0.7	0.2
FC207~FC210	0 -0.054			
FC211~FC217	0 -0.063	±0.8	1	0.3
FC218	0 -0.072			
FCX16~FCX18 FCX20	0 -0.072			

$\Delta H_{3s}$  : deviation of spigot joint outside diameter.  
 $\Delta A_{2s}$  : deviation of distance from mounting face to centre of spherical bearing seating.  
 X : positional tolerance of bolt hole.  
 Y : circumferential runout tolerance of spigot joint in respect to axial line of spherical bearing seating.

Shaft dia. (mm) <i>d</i>	Dimensions (mm)											Bolt size	Unit No.	Housing No.
	<i>L</i>	<i>H</i> <sub>3</sub>	<i>J</i>	<i>J</i> <sub>1</sub>	<i>N</i> ±0.2	<i>A</i> <sub>1</sub>	<i>A</i> <sub>2</sub>	<i>A</i> <sub>3</sub>	<i>A</i> <sub>4</sub>	<i>B</i>	<i>S</i>			
12	100	62	78	55.1	12	20.5	10	5	28.3	31	12.7	M10	UCFC201	FC204
15	100	62	78	55.1	12	20.5	10	5	28.3	31	12.7	M10	UCFC202	FC204
17	100	62	78	55.1	12	20.5	10	5	28.3	31	12.7	M10	UCFC203	FC204
20	100	62	78	55.1	12	20.5	10	5	28.3	31	12.7	M10	UCFC204	FC204
25	115	70	90	63.6	12	21	10	6	29.8	34.1	14.3	M10	UCFC205	FC205
	111	76	92	65	9.5	24	10	6	32.2	38.1	15.9	M8	UCFCX05	FCX05
30	125	80	100	70.7	12	23	10	8	32.2	38.1	15.9	M10	UCFC206	FC206
	127	85	105	74.2	12	22.5	8	9.5	33.4	42.9	17.5	M10	UCFCX06	FCX06
35	135	90	110	77.8	14	26	11	8	36.4	42.9	17.5	M12	UCFC207	FC207
	133	92	111	78.5	12	26	9	11	39.2	49.2	19	M10	UCFCX07	FCX07
40	145	100	120	84.8	14	26	11	10	41.2	49.2	19	M12	UCFC208	FC208
	133	92	111	78.5	12	26	9	11	39.2	49.2	19	M10	UCFCX08	FCX08
45	160	105	132	93.3	16	26	10	12	40.2	49.2	19	M14	UCFC209	FC209
	155	108	130	91.9	14	25	8	12	40.6	51.6	19	M12	UCFCX09	FCX09
50	165	110	138	97.6	16	28	10	12	42.6	51.6	19	M14	UCFC210	FC210
	162	118	136	96.2	14	25	7	16	40.4	55.6	22.2	M12	UCFCX10	FCX10
55	185	125	150	106.1	19	31	13	12	46.4	55.6	22.2	M16	UCFC211	FC211
	180	127	152	107.5	16	26	4	22	43.7	65.1	25.4	M14	UCFCX11	FCX11
60	195	135	160	113.1	19	36	17	12	56.7	65.1	25.4	M16	UCFC212	FC212
	194	140	165	116.7	16	33	11	20	50.7	65.1	25.4	M14	UCFCX12	FCX12
65	205	145	170	120.2	19	36	16	14	55.7	65.1	25.4	M16	UCFC213	FC213
	194	140	165	116.7	16	33	11	20	55.4	74.6	30.2	M14	UCFCX13	FCX13

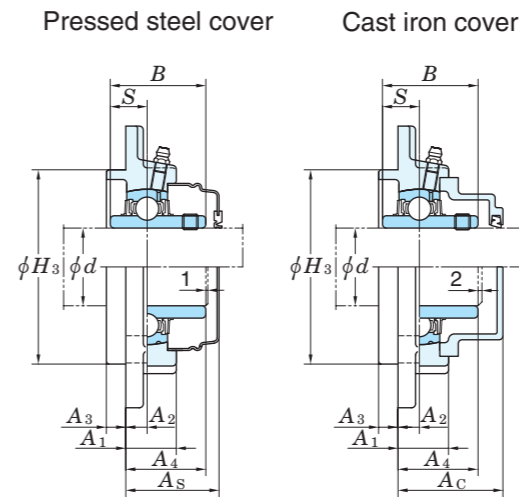
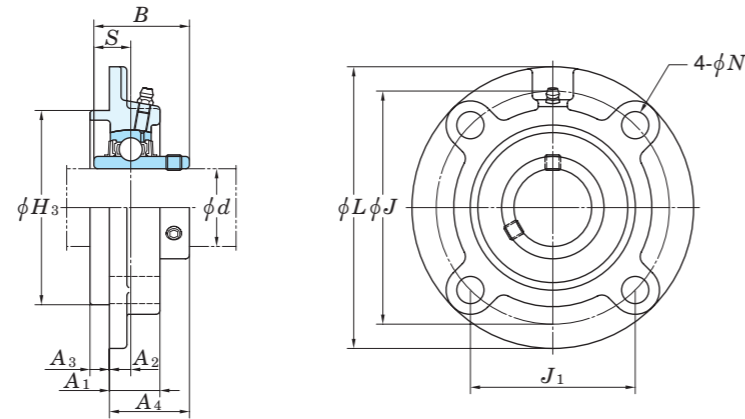
[Remarks] 1) Applicable sizes of grease nipples are shown below.  
 A-1/4-28UNF..... 201~210, X05~X09  
 A-PT 1/8..... 211~218, X10~X20

No.	Applicable bearing			Unit No. with covers				Cover dimensions (mm)		(Refer.) Unit Mass (kg)	
	Basic load ratings (kN)		Factor	Pressed steel covers		Cast iron covers		<i>A</i> <sub>s</sub>	<i>A</i> <sub>c</sub>	Pressed steel covers	Cast iron covers
	<i>C</i> <sub>r</sub>	<i>C</i> <sub>0r</sub>	<i>f</i> <sub>0</sub>	Open ends	Closed end	Open ends	Closed end				
UC201	12.8	6.65	13.2	UCFC201C	UCFC201D	—	—	32	—	0.78	—
UC202	12.8	6.65	13.2	UCFC202C	UCFC202D	—	—	32	—	0.76	—
UC203	12.8	6.65	13.2	UCFC203C	UCFC203D	—	—	32	—	0.75	—
UC204	12.8	6.65	13.2	UCFC204C	UCFC204D	UCFC204FC	UCFC204FD	32	38.5	0.73	0.84
UC205	14.0	7.85	13.9	UCFC205C	UCFC205D	UCFC205FC	UCFC205FD	34	42	0.95	1.1
UCX05	19.5	11.3	13.9	UCFCX05C	UCFCX05D	—	—	36	—	1.2	—
UC206	19.5	11.3	13.9	UCFC206C	UCFC206D	UCFC206FC	UCFC206FD	36	45	1.3	1.6
UCX06	25.7	15.4	13.9	UCFCX06C	UCFCX06D	—	—	38	—	1.5	—
UC207	25.7	15.4	13.9	UCFC207C	UCFC207D	UCFC207FC	UCFC207FD	41	50	1.7	2.1
UCX07	29.1	17.8	14.0	UCFCX07C	UCFCX07D	—	—	43	—	1.9	—
UC208	29.1	17.8	14.0	UCFC208C	UCFC208D	UCFC208FC	UCFC208FD	45	54	2.0	2.4
UCX08	32.7	20.3	14.0	UCFCX08C	UCFCX08D	—	—	43	—	2.0	—
UC209	32.7	20.3	14.0	UCFC209C	UCFC209D	UCFC209FC	UCFC209FD	44	54	2.6	3.0
UCX09	35.1	23.3	14.4	UCFCX09C	UCFCX09D	—	—	45	—	2.6	—
UC210	35.1	23.3	14.4	UCFC210C	UCFC210D	UCFC210FC	UCFC210FD	47	58.5	2.9	3.4
UCX10	43.4	29.4	14.4	UCFCX10C	UCFCX10D	—	—	45	—	3.2	—
UC211	43.4	29.4	14.4	UCFC211C	UCFC211D	UCFC211FC	UCFC211FD	51	62.5	4.2	4.8
UCX11	52.4	36.2	14.4	UCFCX11C	UCFCX11D	—	—	48	—	4.3	—
UC212	52.4	36.2	14.4	UCFC212C	UCFC212D	UCFC212FC	UCFC212FD	61	74	5.0	5.8
UCX12	57.2	40.1	14.4	UCFCX12C	UCFCX12D	—	—	55	—	5.3	—
UC213	57.2	40.1	14.4	UCFC213C	UCFC213D	UCFC213FC	UCFC213FD	60	73	5.6	6.4
UCX13	62.2	44.1	14.5	UCFCX13C	UCFCX13D	—	—	60	—	5.7	—

2) For bearings with double- or triple-lip seals, unit and bearing number are suffixed by L2 or L3.  
 (UCFC206JL3, UC206L3)  
 3) For more detailed information, refer to ball bearing for unit specification tables.

### Ball bearing units round-flanged type with spigot joint UCFC (with set screws)

$d$  70 ~ 100 mm



Tolerances for housing

housing No.		$\Delta H_{3s}$	$\Delta A_{2s}$	X	Y
FC204~ FC206	FCX05	0 -0.046	±0.5	0.7	0.2
FC207~ FC210	FCX06~ FCX10	0 -0.054			
FC211~ FC217	FCX11~ FCX15	0 -0.063	±0.8	1	0.3
FC218	FCX16~ FCX18	0 -0.072			
	FCX20				

unit : mm  
 $\Delta H_{3s}$  : deviation of spigot joint outside diameter.  
 $\Delta A_{2s}$  : deviation of distance from mounting face to centre of spherical bearing seating.  
 X : positional tolerance of bolt hole.  
 Y : circumferential runout tolerance of spigot joint in respect to axial line of spherical bearing seating.

Shaft dia. (mm) $d$	Dimensions (mm)											Bolt size	Unit No.	Housing No.
	$L$	$H_3$	$J$	$J_1$	$N_{\pm 0.2}$	$A_1$	$A_2$	$A_3$	$A_4$	$B$	$S$			
70	215	150	177	125.1	19	40	17	14	61.4	74.6	30.2	M16	UCFC214 UCFCX14	FC214 FCX14
	222	164	190	134.3	19	36	14	20	58.5	77.8	33.3	M16		
75	220	160	184	130.1	19	40	18	16	62.5	77.8	33.3	M16	UCFC215 UCFCX15	FC215 FCX15
	222	164	190	134.3	19	35	12	22	61.3	82.6	33.3	M16		
80	240	170	200	141.4	23	42	18	16	67.3	82.6	33.3	M20	UCFC216 UCFCX16	FC216 FCX16
	260	186	219	154.8	23	36	10	25	61.6	85.7	34.1	M20		
85	250	180	208	147.1	23	45	18	18	69.6	85.7	34.1	M20	UCFC217 UCFCX17	FC217 FCX17
	260	186	219	154.8	23	36	10	25	66.3	96	39.7	M20		
90	265	190	220	155.5	23	50	22	18	78.3	96	39.7	M20	UCFC218 UCFCX18	FC218 FCX18
	260	186	219	154.8	23	43	12	28	73.1	104	42.9	M20		
100	276	206	238	168.3	23	66	22	28	90.3	117.5	49.2	M20	UCFCX20	FCX20

[Remarks] 1) Applicable sizes of grease nipples are shown below.  
 A-1/4-28UNF ..... 201~210, X05~X09  
 A-PT 1/8 ..... 211~218, X10~X20

No.	Applicable bearing			Unit No. with covers				Cover dimensions (mm)		(Refer.) Unit Mass (kg)	
	Basic load ratings (kN)		Factor	Pressed steel covers		Cast iron covers		$A_s$	$A_c$	Pressed steel covers	Cast iron covers
	$C_r$	$C_{0r}$	$f_0$	Open ends	Closed end	Open ends	Closed end				
UC214	62.2	44.1	14.5	UCFC214C	UCFC214D	UCFC214FC	UCFC214FD	66	79	6.8	7.7
UCX14	67.4	48.3	14.5	UCFCX14C	UCFCX14D	—	—	63	—	7.3	—
UC215	67.4	48.3	14.5	UCFC215C	UCFC215D	UCFC215FC	UCFC215FD	67	80	7.2	8.2
UCX15	72.7	53.0	14.6	UCFCX15C	UCFCX15D	—	—	66	—	8.0	—
UC216	72.7	53.0	14.6	UCFC216C	UCFC216D	UCFC216FC	UCFC216FD	72	87	8.7	9.9
UCX16	84.0	61.9	14.5	UCFCX16C	UCFCX16D	—	—	66	—	11.3	—
UC217	84.0	61.9	14.5	UCFC217C	UCFC217D	UCFC217FC	UCFC217FD	74	89	10.3	11.7
UCX17	96.1	71.5	14.5	UCFCX17C	UCFCX17D	—	—	71	—	12.9	—
UC218	96.1	71.5	14.5	UCFC218C	UCFC218D	UCFC218FC	UCFC218FD	83	98	13.3	14.8
UCX18	109	81.9	14.4	—	—	UCFCX18C	UCFCX18D	—	92	13.5	15.4
UCX20	133	105	14.4	—	—	UCFCX20C	UCFCX20D	—	116	18.2	20.7

2) For bearings with double- or triple-lip seals, unit and bearing number are suffixed by L2 or L3.  
 (UCFC206JL3, UC206L3)  
 3) For more detailed information, refer to ball bearing for unit specification tables.