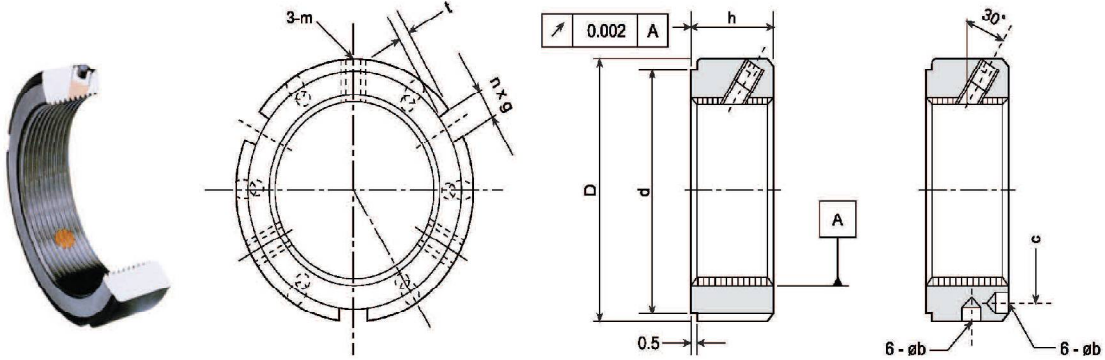




YSF 牙腹鎖定



螺 牙 Thread	D	h	d	n x g / b	t / c	m	MAX.Nm
YSF M 17X1	32	16	27	3 x 4 / -	2	M5	4.5
YSF M 20X1	38		33		2		
YSF M 20X1.5			33		2		
YSF M 25X1.5	45	18	40	3 x 5 / -	2	M6	8.0
YSF M 30X1.5			47		2		
YSF M 35X1.5			52		2		
YSF M 40X1.5	58	20	52	3 x 6 / -	2.5	M8	18.0
YSF M 45X1.5			59		2.5		
YSF M 50X1.5			64		2.5		
YSF M 55X2	75	22	68	3 x 7 / φ6	2.5	M8	18.0
YSF M 60X2	73		65				
YSF M 65X2	78		70				
YSF M 70X2	92	24	84	3 x 8 / φ7	3.5	M8	18.0
YSF M 75X2			87				
YSF M 80X2			93				
YSF M 85X2	110	26	102	6 x 8 / φ7	4	M10	35.0
YSF M 90X2	105						
YSF M 95X2	110						
YSF M 100X2	130	28	118	6 x 10 / φ7	5	M10	35.0
YSF M 105X2	123						
YSF M 110X2	128						
YSF M 115X2	150	30	137	6 x 12 / φ7	6	M10	35.0
YSF M 120X2	138						
YSF M 125X2	143						
YSF M 130X2	165	32	152	6 x 14 / φ8	7	M12	60.0
YSF M 135X2	148						
YSF M 140X2	155						
YSF M 145X2	175	34	160	6 x 16 / φ8	7	M12	60.0
YSF M 150X2	168						
YSF M 155X2	173						
YSF M 155X3	200	36	180	6 x 16 / φ8	7	M12	60.0
YSF M 160X3	178						
YSF M 165X3	185						
YSF M 170X3	210	38	190	6 x 16 / φ8	7	M12	60.0
YSF M 175X3	188						
YSF M 180X3	195						
YSF M 185X3	220	36	200	6 x 16 / φ8	7	M12	60.0
YSF M 190X3	205						
YSF M 195X3	215						
YSF M 200X3	230	38	215	6 x 16 / φ8	7	M12	60.0
YSF M 205X3	225						
YSF M 210X3	225						

Remarks:(1)The data are for reference only. (2)1 Nm=10.2kgf.cm=0.73lb.ft